

# RT2450-G31



## APPLICATION

RT2450-G31 is designed to replace deep cycle lead-acid batteries. The battery is perfect for recreational vehicles (RV), marine (boats), trucks, cabins, and other off-grid deep-cycle applications.



### High Reliability

In case of system failure, the battery will actively cut off the external input and output to ensure safety.



### APP

The built-in Bluetooth module allows real-time monitoring via mobile devices.



### 2S8P/1S16P

Up to 16 batteries in 2S8P/1S16P connection, building a battery system with a max. energy output of 20.48 kWh.



### 4000+

More than 4,000 lifecycles to maximum your ROI.



### 2C@30S

The battery can provide an inrush current of 2C for up to 30 seconds.



### IP67

High dust and water resistance allows the battery to work in harsh outdoor environments.



### Communication Expansion

Supports the use of the Kit-C1 communication box to extend external communication and control functions of batteries, such as CAN communication, RS485 communication, and dry contacts.

# SPECIFICATION

Model: RT2450-G31

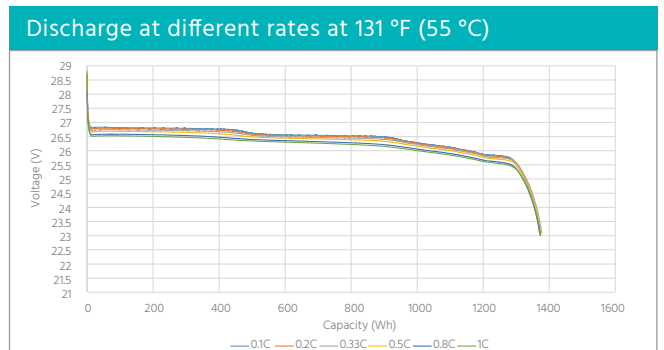
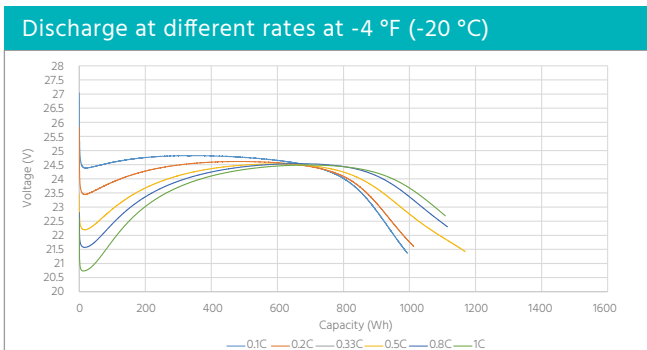
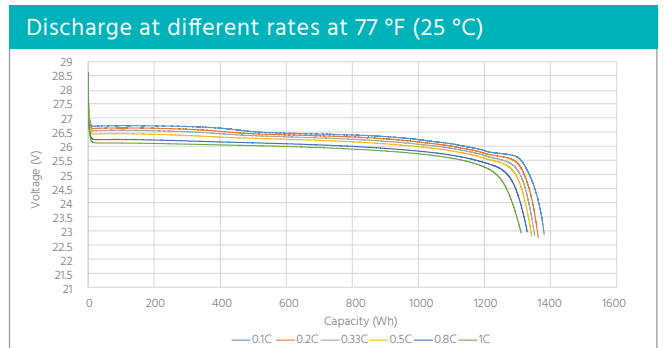
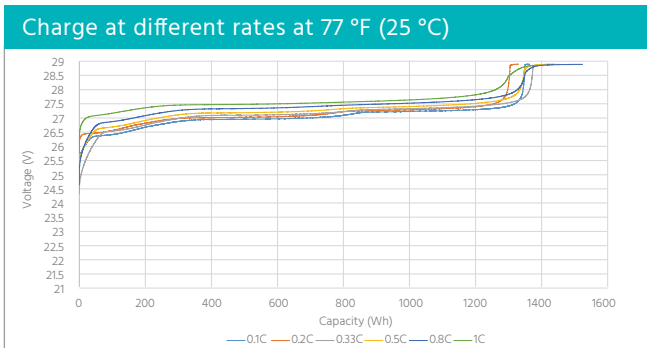
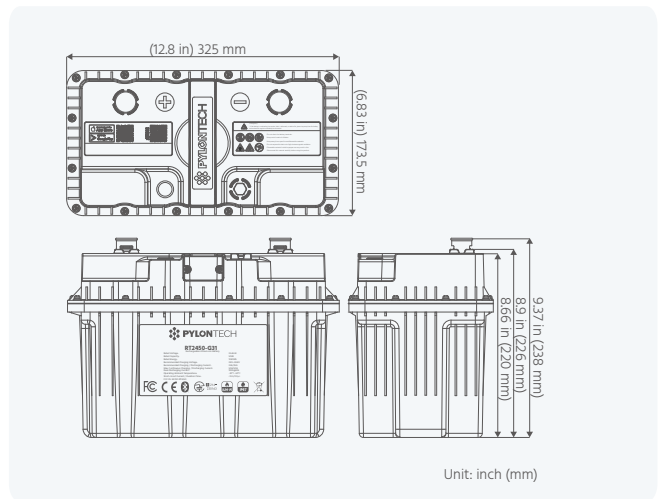
| Electrical Specifications               |                |
|---|----------------|
| Nominal Voltage                         | 25.6 VDC       |
| Nominal Capacity                        | 50 Ah          |
| Resistance                              | < 10 mΩ        |
| Efficiency                              | 99%            |
| Self Discharge                          | ≤ 3% per month |
| Max. Batteries in Parallel or Series    | 2S8P/1S16P     |
| Cycle Life                              | > 4000         |
| Max. Continuous Discharging Current     | 50 A           |
| Peak Discharging Current                | 100 A@30 s     |
| Max. Continuous Charging Current        | 50 A           |
| Recommended Continuous Charging Current | ≤ 25 A         |
| Recommended Charging Voltage            | 28 V~28.8 V    |

| Environment Specifications      |   |
|---------------------------------|---|
| Recommended Storage Temperature | 50 °F ~ 95 °F (10 °C ~ 35 °C)   |
| Storage Temperature Range       | -4 °F ~ 140 °F (-20 °C ~ 60 °C)   |
| Operating Temperature           | -4 °F ~ 122 °F (-20 °C ~ 50 °C)<br><small>*The battery cannot charge when the cell temperature is below 32 °F (0 °C).</small> |
| Max. Altitude                   | 13123 ft (4000 m)   |
| Relative Humidity               | 5% ~ 95% (non-condensing)   |

| Other          |                                   |
|----------------|-----------------------------------|
| Certifications | UN38.3, TELEC, FCC, Bluetooth SIG |
| Communication  | BLE 5.0                           |
| APP            | PylontechAuto App                 |

| Mechanical Specifications |  |
|---------------------------|--|
| Dimensions (L × W × H)    | 12.8 × 6.83 × 9.37 in (325 × 173.5 × 238 mm) |
| Weight                    | Approx. 23.37 lbs (10.6 kg)                  |
| Terminal Type             | M8 × 1.25 × 14 mm                            |
| Terminal Torque           | 9 ± 1 Nm                                     |
| Case Material             | PC   |
| IP Rating                 | IP67   |
| Cell Type-chemistry       | LiFePO <sub>4</sub>                          |

## Dimensions



\*Product performance is based on testing in a controlled environment. Your results may vary due to several external and environmental factors.

